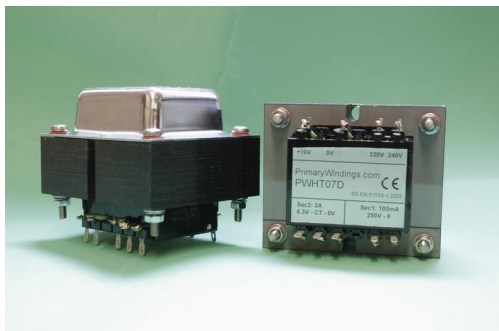


Primary Windings

British quality wound components

PWHT07D 250V @100mA 6.3V CT Mains transformer data sheet

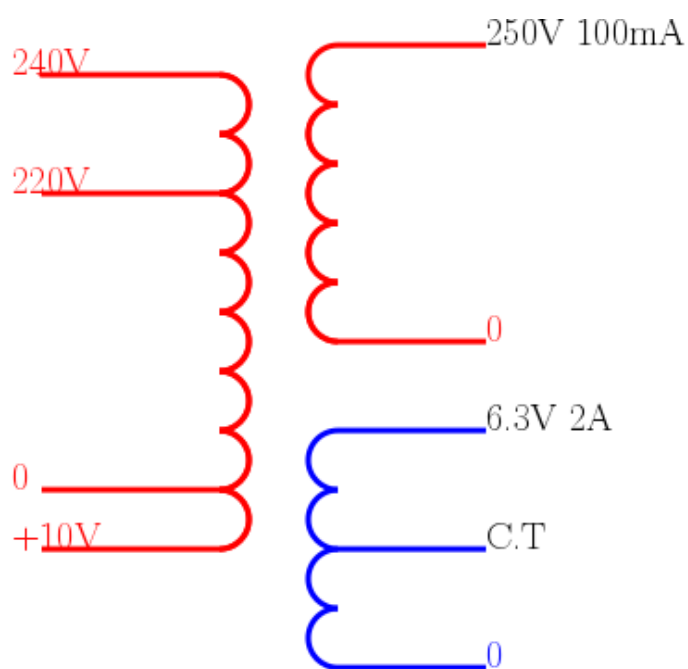


A small drop through mains transformer.

Made from Grain orientated steel for low loss.

Conservatively designed to allow for continued amplifier overload conditions.

Built and tested to safety standard BS EN 61558-1 2005

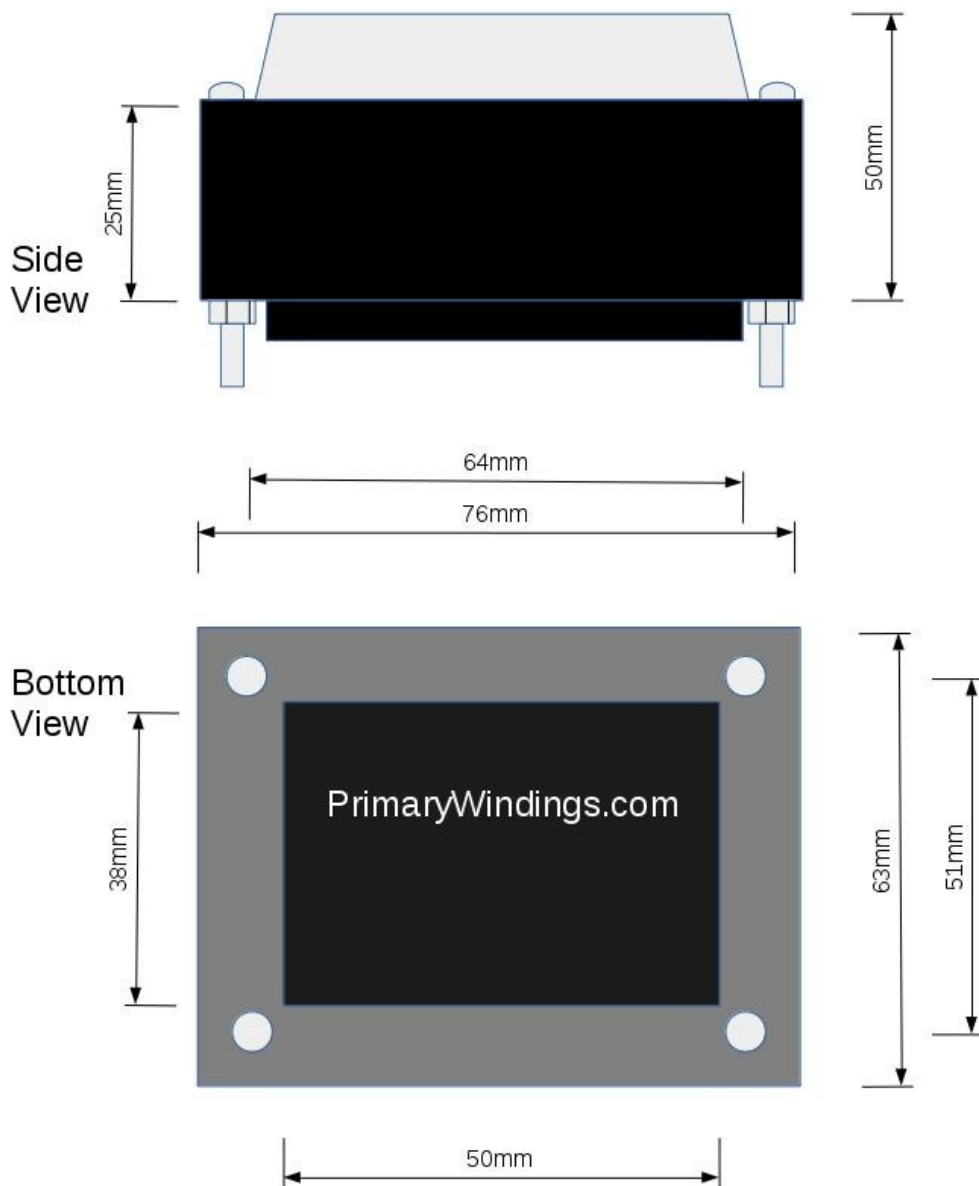


Primary Windings

British quality wound components

Dimensions

PWHT07D Drop Through Transformer drawing



Primary Windings

British quality wound components

General

A good quality 250V @100mA, 6.3V CT drop through mains transformer.

Grain orientated steel used throughout.

High quality enamelled wire.

Runs cool, even at full load.

Weight 965g



Note: This transformer produces very high voltages. These are potentially lethal. Please ensure you observe high voltage handling precautions when using the item in your design.